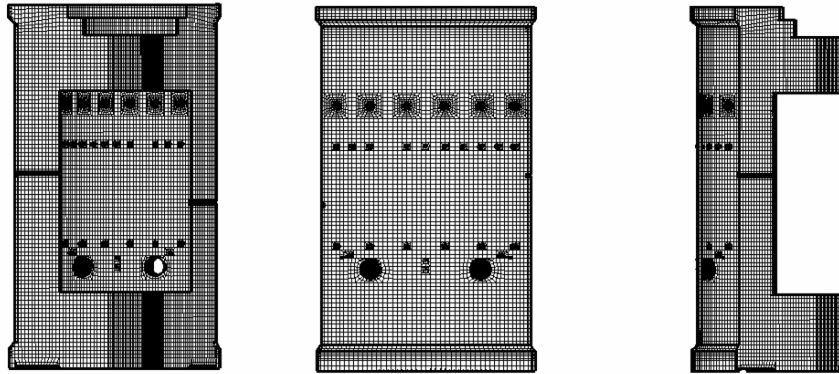


Visualizations of a Nuclear Pressure Vessel

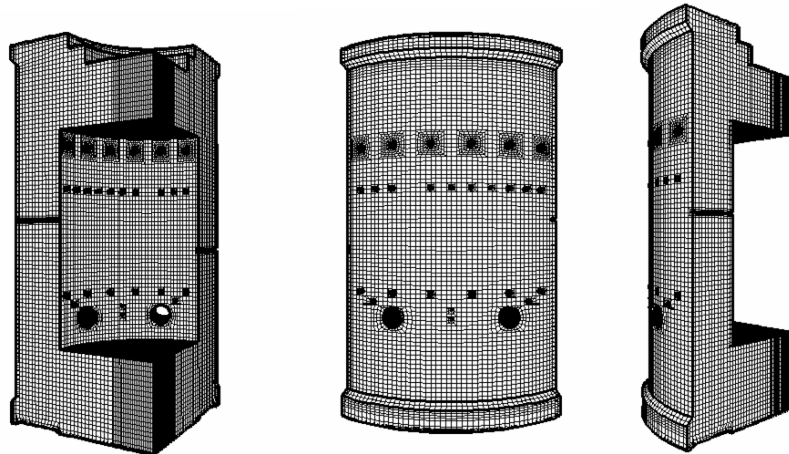
J. Leng, L. Margetts, I. M. Smith from the University of Manchester

R. Crouch from the University of Durham

The Mesh

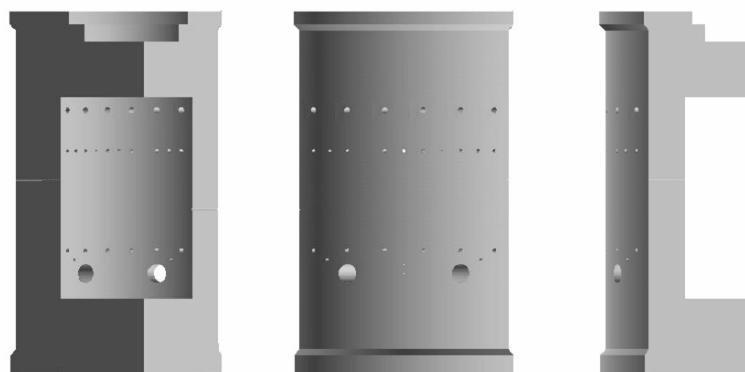


The mesh flat projected.

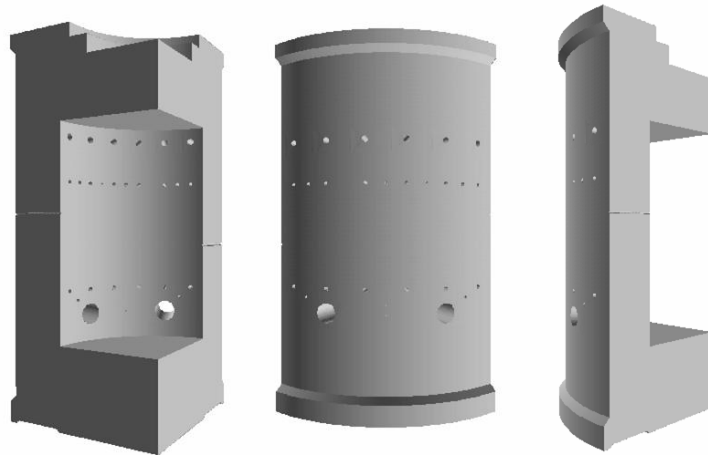


The mesh projected with perspective.

Representations of the Concrete Structure

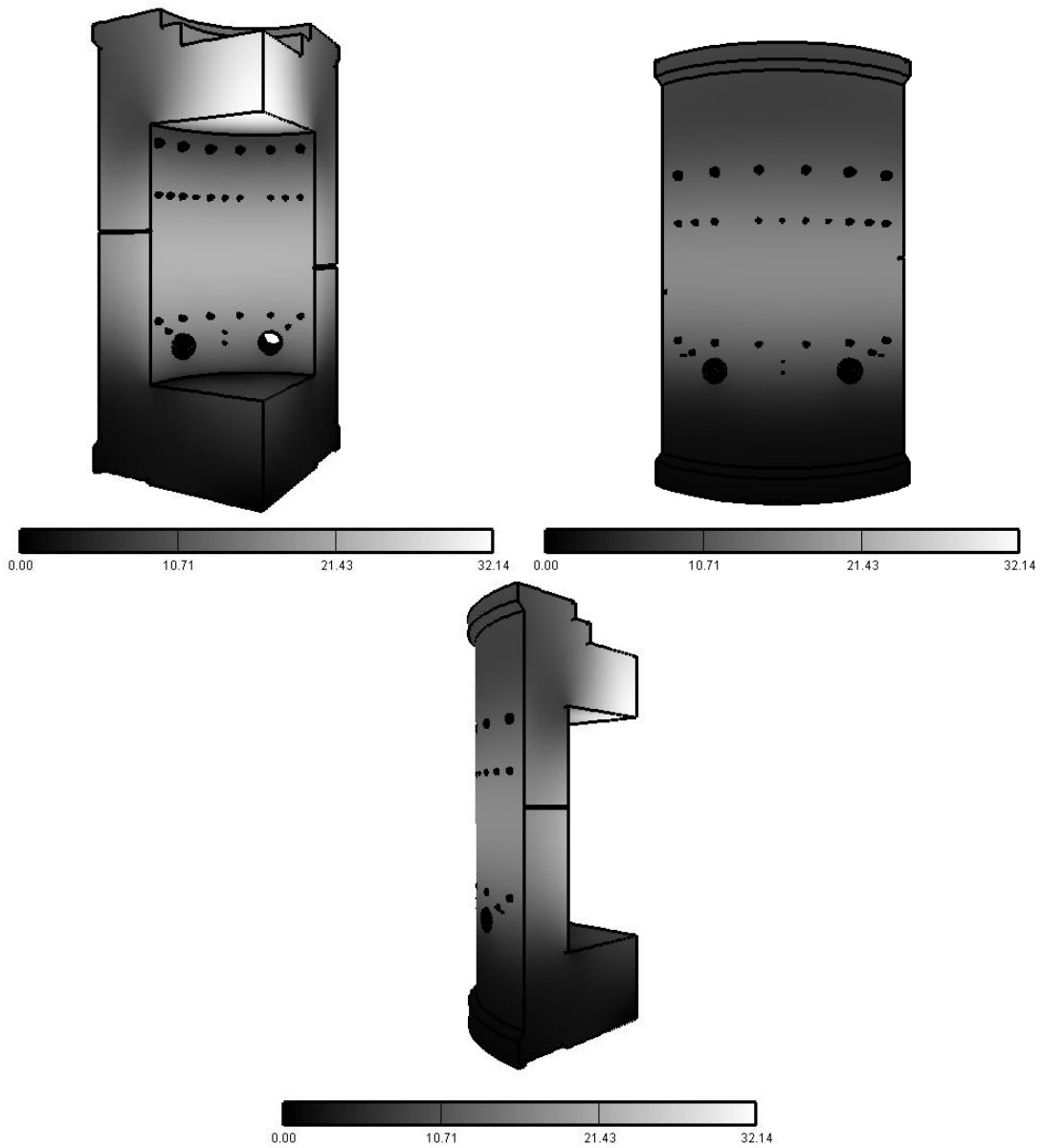


The structure flat projected.

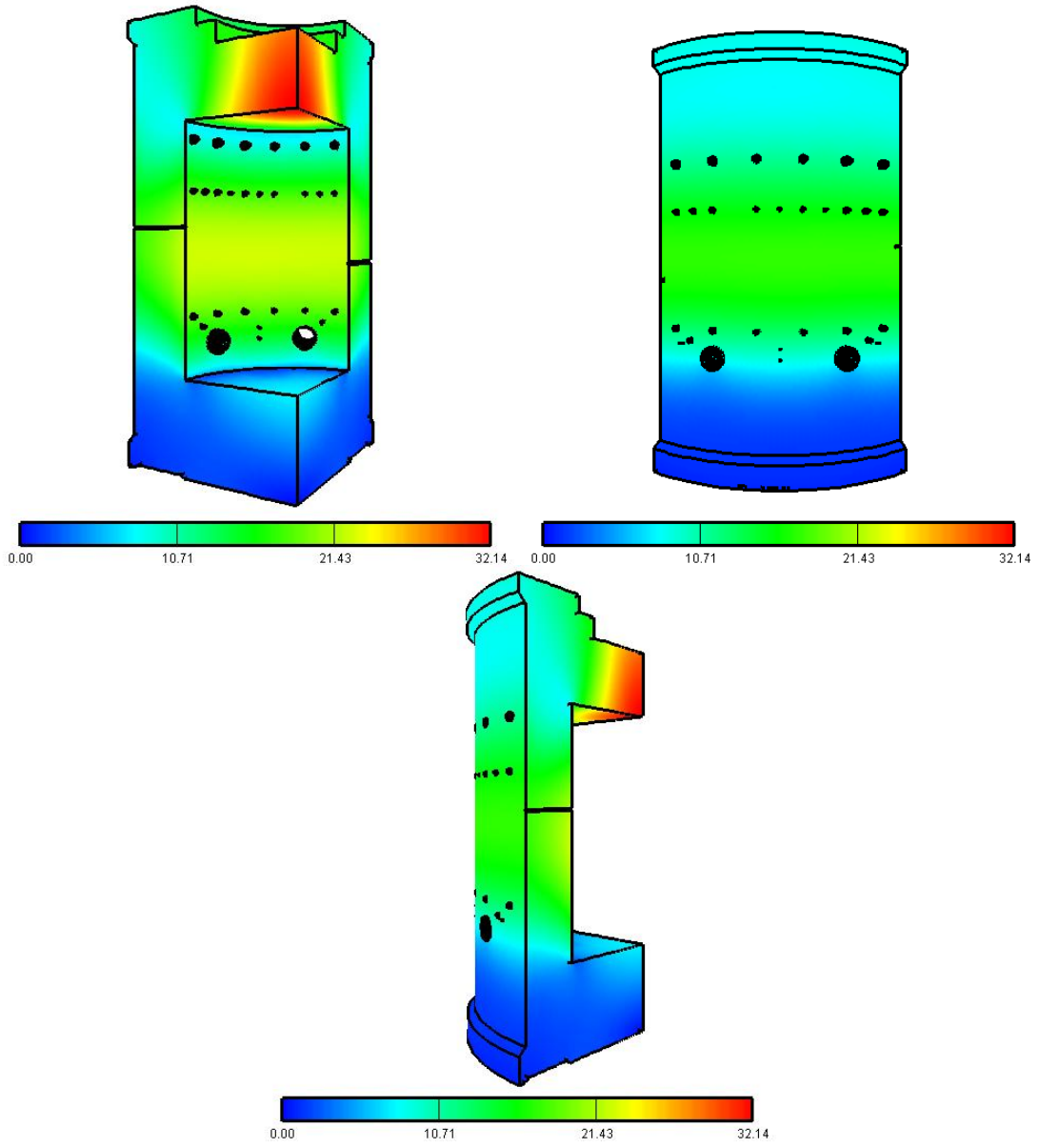


The structure projected with perspective.

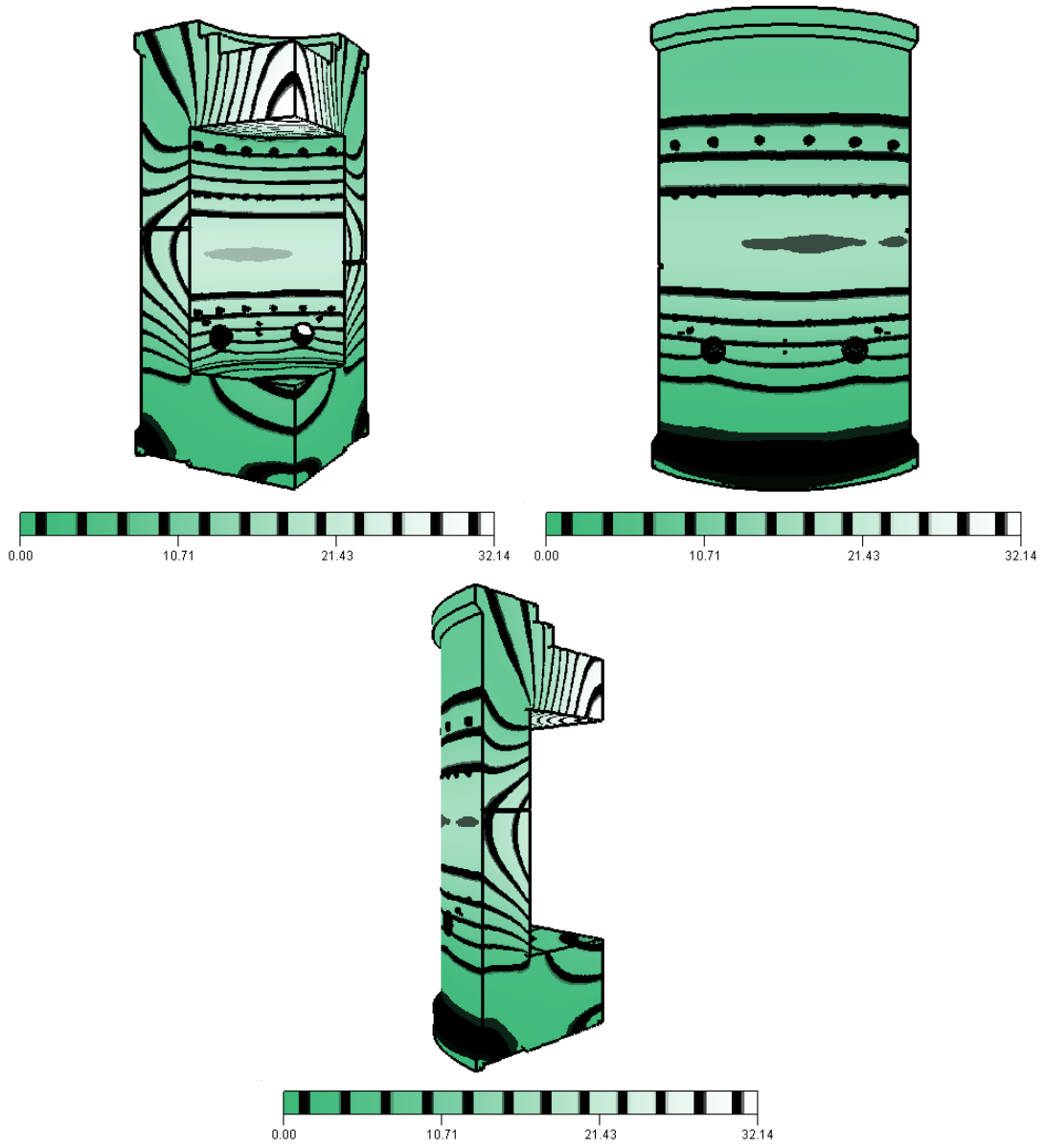
Magnitude of Displacements



Grey scale colour map shows the magnitude of the displacements.

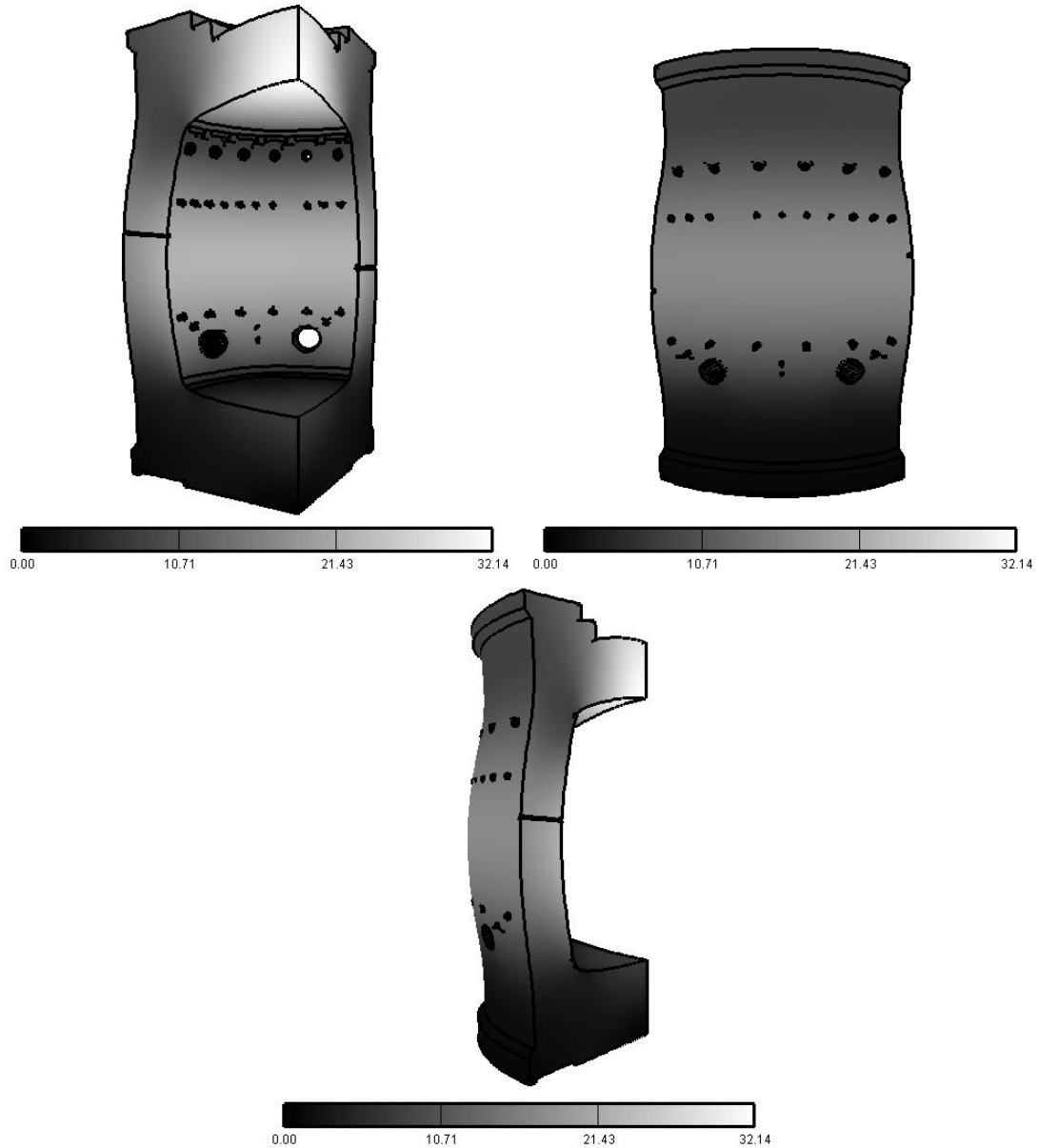


Rainbow colour map shows the magnitude of the displacements.

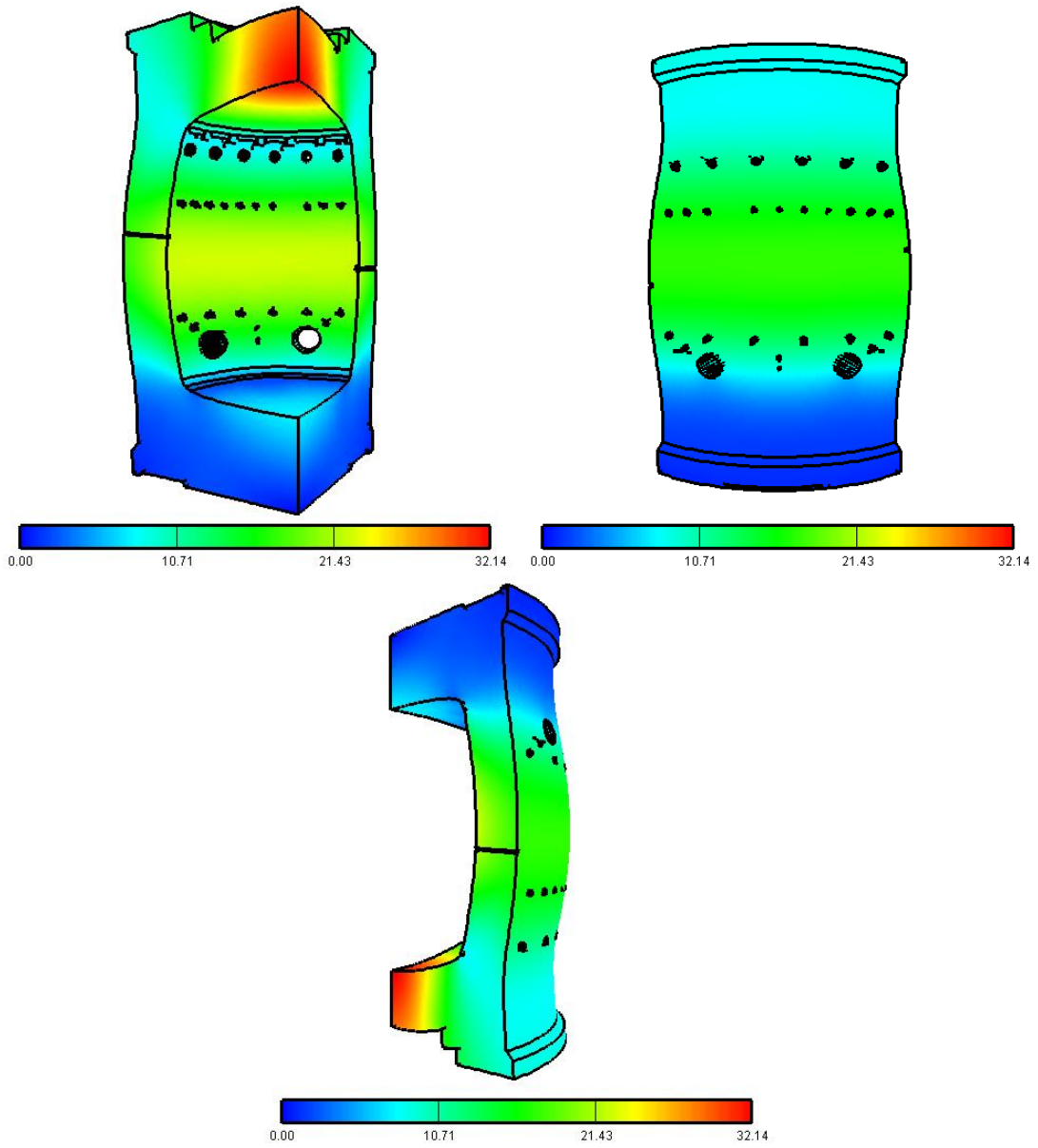


LIC colour map shows the magnitude of the displacements

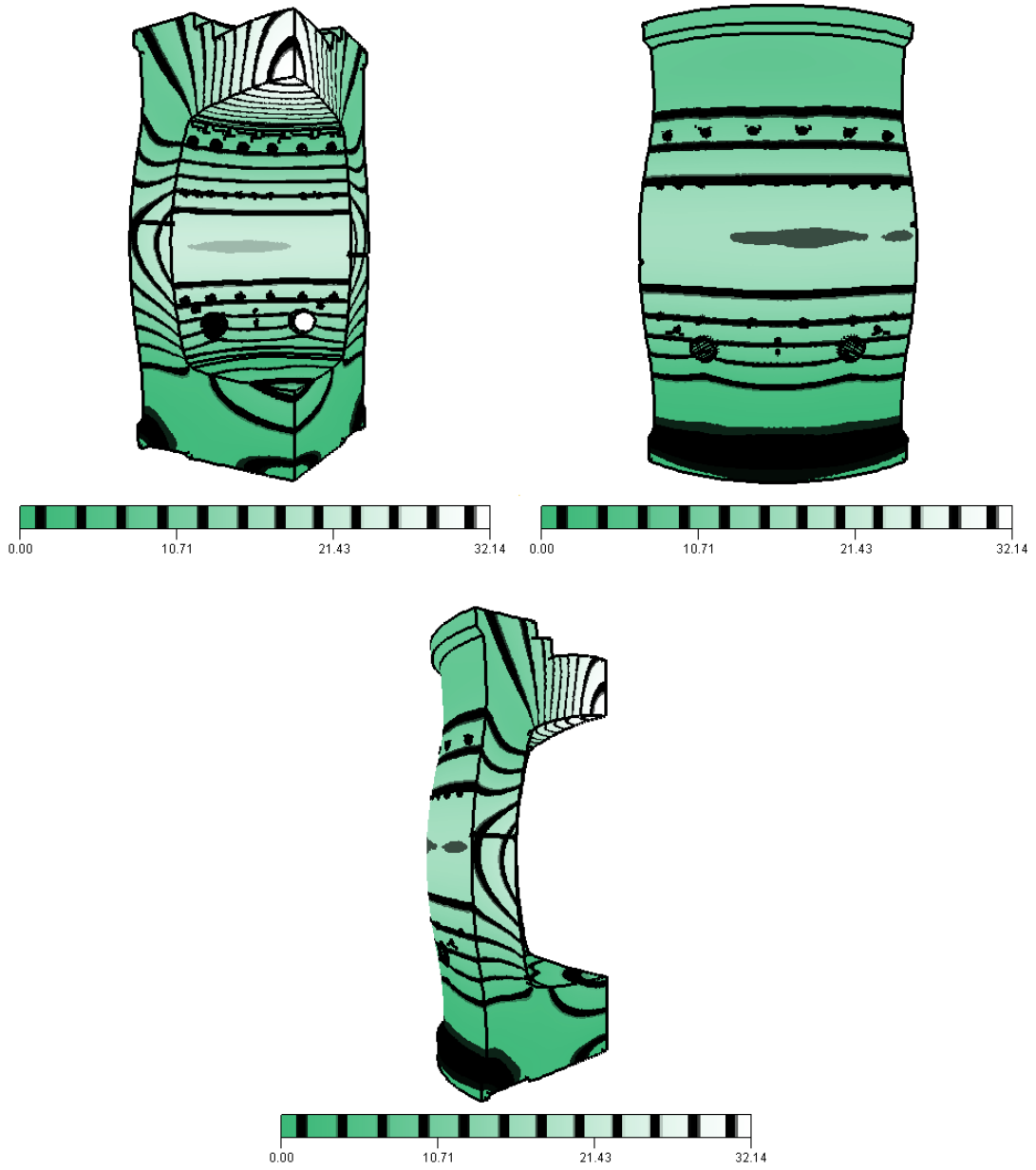
Magnitude of Displacements with the Resulting Distortion



Grey scale colour map shows the magnitude of the displacements on the distorted geometry.



Rainbow colour map shows the magnitude of the displacements on the distorted geometry.



LIC colour map shows the magnitude of the displacements on the distorted geometry.

General Images for a Presentation or Web Pages

